

# Customer Information Sheet

DRAWING No.: M80-4T2XXF2

SHEET 2 OF 2

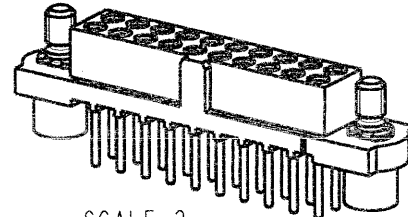
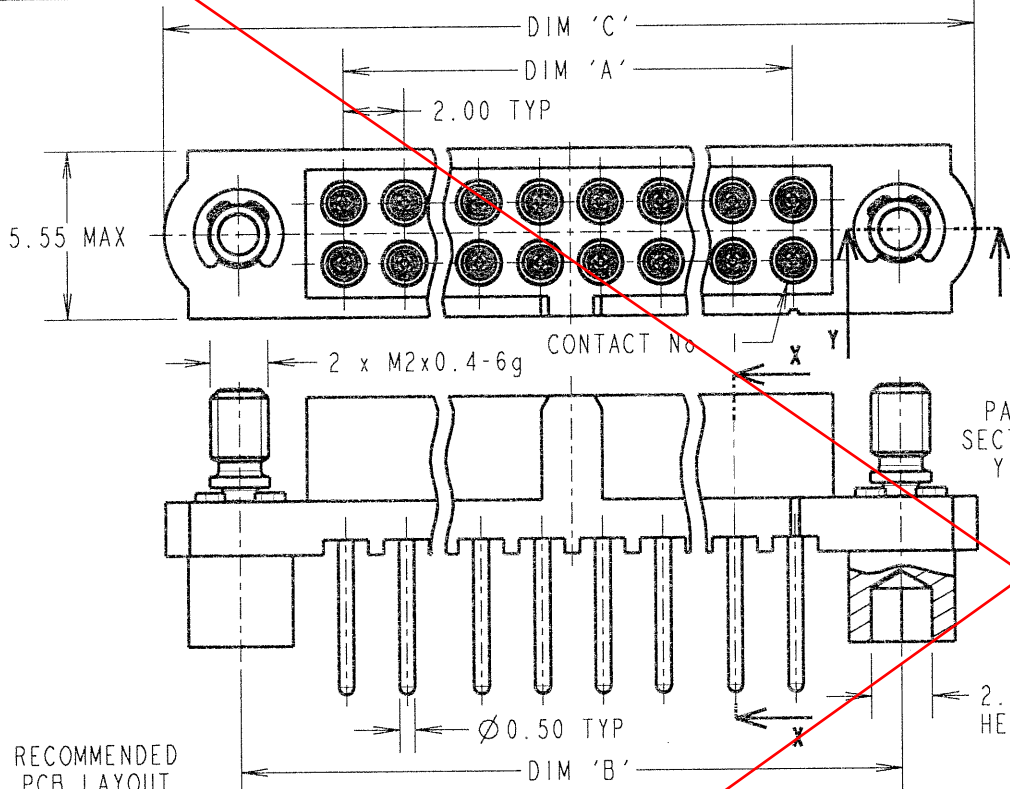
IF IN DOUBT - ASK

©

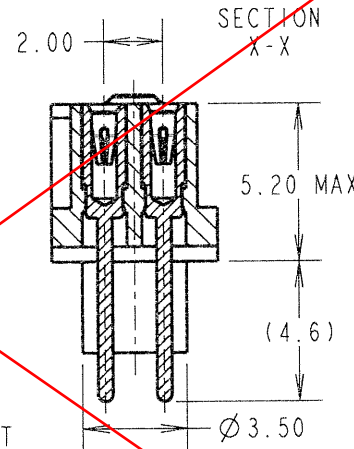
NOT TO SCALE

THIRD ANGLE PROJECTION

ALL DIMENSIONS IN mm



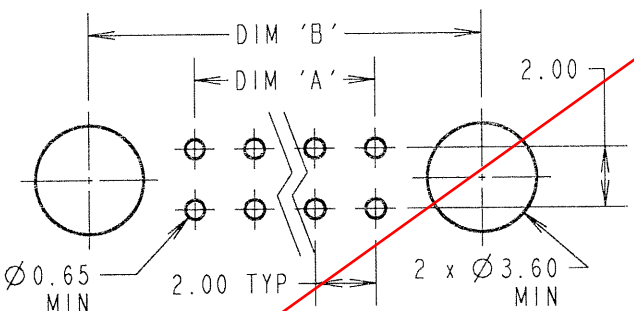
SCALE 2



**SPECIFICATIONS:**  
**MATERIAL:**  
 MOULDING = GLASS-FILLED PPS, UL94V-0, BLACK  
 CONTACT CLIP = BERYLLIUM COPPER  
 CONTACT SHELL = BRASS  
 JACKSCREW, CIRCLIP = STAINLESS STEEL  
**FINISH:**  
 0.3µ GOLD CLIP, 3.5-5.0µ TIN/LEAD SHELL  
**ELECTRICAL:**  
 CURRENT RATING AT 25°C = 3.0A MAX  
 CURRENT RATING AT 85°C = 2.2A MAX  
 WORKING VOLTAGE = 120V AC/DC  
 VOLTAGE PROOF = 360V AC/DC  
 CONTACT RESISTANCE = 25 mΩ MAX  
 INSULATION RESISTANCE = 100 MΩ MIN  
**MECHANICAL:**  
 DURABILITY = 500 OPERATIONS  
 INSERTION FORCE (Ø0.5mm GAUGE) = 2.8N MAX  
 WITHDRAWAL FORCE (Ø0.5mm GAUGE) = 0.2N MIN  
**ENVIRONMENTAL:**  
 TEMPERATURE RANGE = -55°C TO +125°C  
**PACKING:**  
 TUBE  
 FOR COMPLETE SPECIFICATION, SEE  
 COMPONENT SPECIFICATION C005XX  
 (LATEST ISSUE)

**OBSOLETE**

RECOMMENDED PCB LAYOUT



PART No.	No. OF CONTACTS	DIM 'A'	DIM 'B'	DIM 'C'
M80-4T206F2	6	4.00	11.00	16.00
M80-4T210F2	10	8.00	15.00	20.00
M80-4T214F2	14	12.00	19.00	24.00
M80-4T220F2	20	18.00	25.00	30.00
M80-4T226F2	26	24.00	31.00	36.00
M80-4T234F2	34	32.00	39.00	44.00
M80-4T242F2	42	40.00	47.00	52.00
M80-4T250F2	50	48.00	55.00	60.00

ORDER CODE:  
**M80-4T2XXF2**  
 TOTAL No. OF CONTACTS  
 06, 10, 14, 20,  
 26, 34, 42, 50

JMB	B	03.08.06	9355
NAME	ISS.	DATE	C/NOTE
APPROVED:		<i>JB</i>	
CHECKED:		<i>[Signature]</i>	
DRAWN:		B. M. KENT	
CUSTOMER REF.:			
ASSEMBLY DRG:			

**HARWIN**

HARWIN INC U.S.A.  
 TEL: (812) 542 2540 FAX: (812) 542 2541

HARWIN PLC U.K.  
 TEL: 023 9231 4545 FAX: 023 9231 4590

HARWIN PTE SINGAPORE  
 TEL: 65 6779 4909 FAX: 65 6779 3868

THIS DRAWING AND ANY INFORMATION OR DESCRIPTIVE MATTER SET OUT HEREON ARE CONFIDENTIAL AND COPYRIGHT PROPERTY OF THE HARWIN GROUP AND MUST NOT BE DISCLOSED, LOANED, COPIED OR USED FOR MANUFACTURING, TENDERING OR FOR ANY OTHER PURPOSE WITHOUT THEIR WRITTEN PERMISSION.

**TOLERANCES**  
 X. = ±1mm  
 X.X = ±0.25mm  
 X.XX = ±0.10mm  
 X.XXX = ±0.01mm  
 ANGLES = ±5°  
 UNLESS STATED

**MATERIAL:**  
 SEE ABOVE  
**FINISH:** SEE ABOVE  
**S/AREA:** mm<sup>2</sup>

**TITLE:** JACKSCREW DATAMATE DIL VERTICAL PC TAIL (4.5mm) FEMALE ASSEMBLY  
**DRAWING NUMBER:** M80-4T2XXF2  
 SHT 2 OF 2